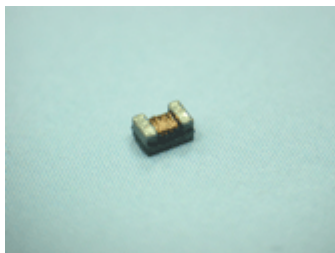


MS1608LD SERIES ~ Wire Wound Ferrite Chip Inductors

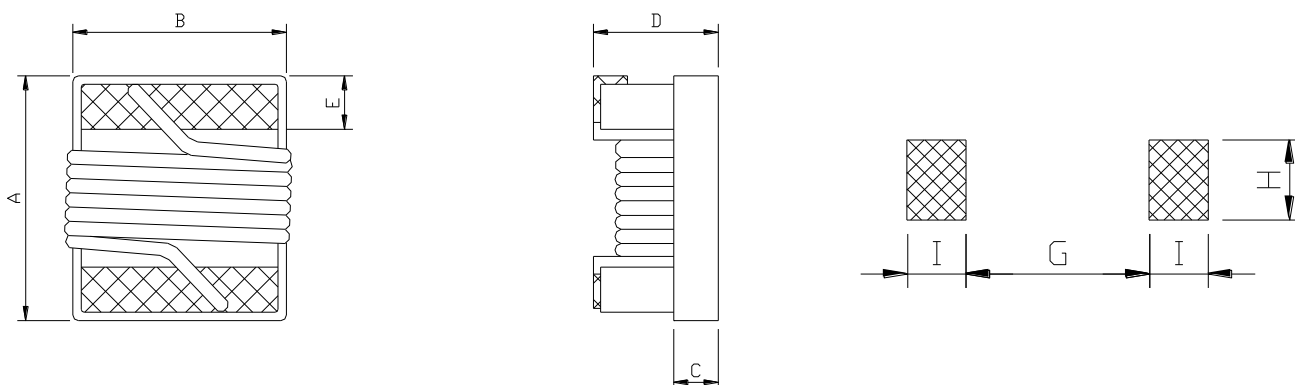


PART NUMBERING SYSTEM

MS	1608LD	—	100J	—	LF
TYPE	DIMENSIONS		INDUCTANCE		LEAD FREE

SHAPES AND DIMENSIONS

UNIT : mm



A=1.8 Max. B=1.2 Max. C=0.45 Ref. D=1.10 Max. E=0.33±0.1 G=0.65 H=1.02 I=0.64

Features:

- 1> Inductance values from **0.27uH to 47uH**
- 2> Miniature SMD wire wound power Inductors.
- 3> **SRF values as high as 0.9 GHz.**
- 4> **Exceptional current handling capability** – up to 950 mA.
- 5> **RoHS / REACH-compliant and Halogen Free**
- 6> **Suitable for TWS (True Wireless Stereo) Bluetooth earphone / Bluetooth modules**
- 7> Operating temperature range from **-40°C to 105°C.**



MS1608LD SERIES ~ Wire Wound Ferrite Chip Inductors

SPECIFICATION TABLE

PART NUMBER	INDUCTANCE (μ H)	TOLERANCE	Q. MIN.	SRF (MHz) MIN.	DCR (Ω) (max)	Isat (A) (typ)
MS1608LD-R27□-LF	0.27@7.9MHz	K	13.0@7.96MHz	900	0.34	950
MS1608LD-R47□-LF	0.47@7.9MHz	K	13.0@7.96MHz	900	0.34	920
MS1608LD-R68□-LF	0.68@7.9MHz	K,M	13.0@7.96MHz	650	0.36	920
MS1608LD-R78□-LF	0.78@7.9MHz	K,M	16.0@7.96MHz	410	0.37	920
MS1608LD-1R0□-LF	1.00@7.9MHz	K,M	16.0@7.96MHz	390	0.42	860
MS1608LD-1R5□-LF	1.50@7.9MHz	K,M	16.0@7.96MHz	160	0.52	720
MS1608LD-1R8□-LF	1.80@7.9MHz	K,M	16.0@7.96MHz	121	0.56	640
MS1608LD-2R2□-LF	2.20@7.9MHz	K,M	16.0@7.96MHz	103	0.73	600
MS1608LD-2R7□-LF	2.70@7.9MHz	K,M	16.0@7.96MHz	72	0.81	540
MS1608LD-3R3□-LF	3.30@7.9MHz	K,M	16.0@7.96MHz	66	0.91	500
MS1608LD-3R9□-LF	3.90@7.9MHz	K,M	16.0@7.96MHz	61	1.08	450
MS1608LD-4R7□-LF	4.70@7.9MHz	K,M	16.0@7.96MHz	51	1.27	400
MS1608LD-5R6□-LF	5.60@7.9MHz	K,M	16.0@7.96MHz	47	1.43	380
MS1608LD-6R8□-LF	6.80@7.9MHz	K,M	16.0@7.96MHz	43	1.95	340
MS1608LD-8R2□-LF	8.20@7.9MHz	K,M	16.0@7.96MHz	40	2.19	300
MS1608LD-100□-LF	10.0@2.5MHz	K,M	14.0@2.52MHz	36	2.41	280
MS1608LD-120□-LF	12.0@2.5MHz	K,M	14.0@2.52MHz	32	2.97	260
MS1608LD-150□-LF	15.0@2.5MHz	K,M	14.0@2.52MHz	29	3.38	240
MS1608LD-180□-LF	18.0@2.5MHz	K,M	14.0@2.52MHz	28	3.77	220
MS1608LD-220□-LF	22.0@2.5MHz	K,M	14.0@2.52MHz	24	4.69	200
MS1608LD-270□-LF	27.0@2.5MHz	K,M	14.0@2.52MHz	20	6.76	140
MS1608LD-330□-LF	33.0@2.5MHz	K,M	14.0@2.52MHz	15	8.58	120
MS1608LD-470□-LF	47.0@2.5MHz	K,M	12.0@2.52MHz	11	14.6	100

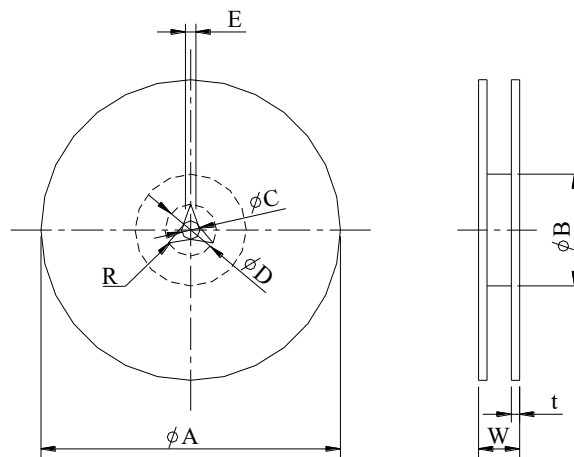
- Inductance and SRF are measured in HP-E4991A impedance analyzer with HP-16197A fixture.
- Inductance Tolerance: K=10% ; M=20%
- RDC is measured in Chroma 16502 mill ohm meter. (or equivalent)
- Isat For inductance drop 10% from its value without current.



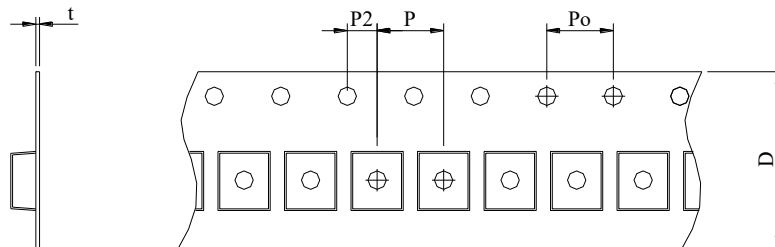
MS1608LD SERIES ~ Wire Wound Ferrite Chip Inductors



PACKAGING SPECIFICATION



	A	B	C	D	E	W	t	R
T(ϕ 180mm) Reel	ϕ 180	ϕ 60	ϕ 13	—	—	14.4	—	—



TYPE	Reel/pcs	P	Po	P2	t	D
MS1608LD	4,000	4	4	2	1	8